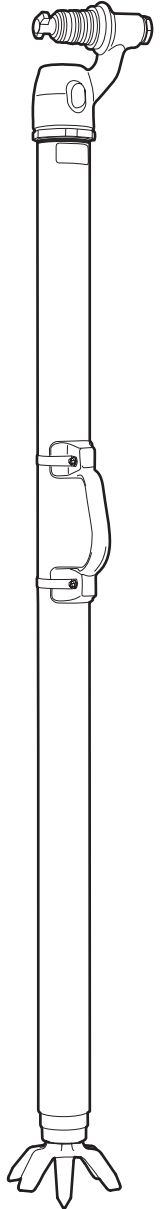


## Spare parts list

### Pusher legs





# Contents

General information.....	5
Spare parts list.....	6
BMT 51.....	6



## General information

This spare parts list applies to the following:

Part number	Description
8321 0301 01	Pusher leg BMT 51

Use only authorized parts. Any damage or malfunction caused by the use of unauthorized parts is not covered by Warranty or Product Liability. Any unauthorized use or copying of the contents or any part thereof is prohibited. This applies in particular to trademarks, model denominations, part numbers, and drawings.

### Instructions for use

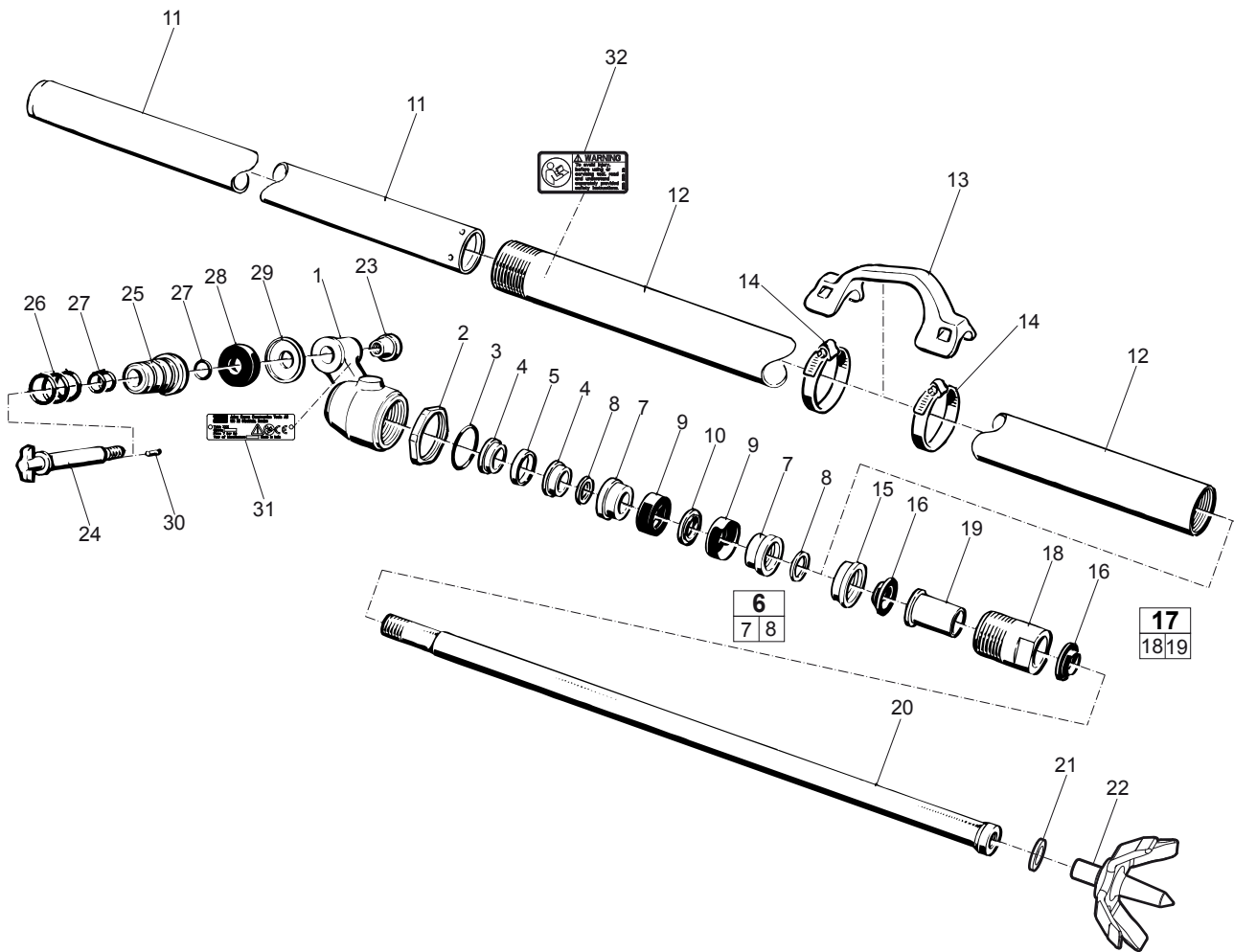
This spare parts list contains no safety regulations and is merely intended to assist in the ordering of spare parts.

For information about operating, servicing, or repairing, the relevant Safety and operating instructions must be consulted at all costs.

Please observe the safety instructions listed in the relevant Safety and operating instructions!

# Spare parts list

## BMT 51



No.	Description	Remark	Quantity	Part number
1	End piece		1	3122 0305 00
2	Nut		1	3122 0159 00
3	O-ring	61.9 x 3.5 mm 70 Shore 2.44 x 0.14 in.	1	0663 9206 00
4	Nut		2	3122 0169 00
5	Brake ring		1	3132 0018 00
<b>6(7-8)</b>	<b>Piston, complete</b>	There are 2 "Piston, complete" on the machine.	1	3122 0348 80
7	Piston		1	-
8	Washer		1	-
9	Packing		2	3122 0167 00
10	Washer		1	3122 0168 00
11	Cylinder		1	3122 0161 00
12	Tube		1	3122 0160 00
13	Handle		1	3115 1994 00
14	Hose clip	Ø60-75 mm Ø2.36-2.95 in.	2	0347 6114 00
15	Guide ring		1	3122 0175 00
16	Packing		2	3122 0176 00
<b>17(18-19)</b>	<b>Guide socket, complete</b>		1	3122 0177 80
18	Guide socket		1	-
19	Bushing		1	3122 0178 00
20	Piston rod		1	3122 0162 00
21	Spring washer	25.5/42 x 5.2 mm DIN 127 1/1.65 x 0.20 in.	1	0333 2174 14
22	Foot		1	3121 5111 00
23	Nut		1	3121 0493 00
24	Pin		1	3122 0306 00
25	Liner		1	3122 0334 00
26	O-ring	Ø36.2 x 3 mm 70 Shore Ø1.43 x 0.12 in.	3	0663 2132 00
27	O-ring	26.2 x 3 mm 70 Shore 1.03 x 0.12 in.	3	0663 2128 00
28	Rubber ring		1	3122 0309 00
29	Washer		1	3122 0371 00
30	Pin		1	0101 1274 00
31	Data plate		1	-
32	Safety label		1	3310 1602 00













Any unauthorized use or copying of the contents or any part thereof is prohibited.  
This applies in particular to trademarks, model denominations, part numbers, and drawings.

© 2012 Atlas Copco Construction Tools AB | No. 9800 0721 01c | 2012-11-26

[www.atlascopco.com](http://www.atlascopco.com)